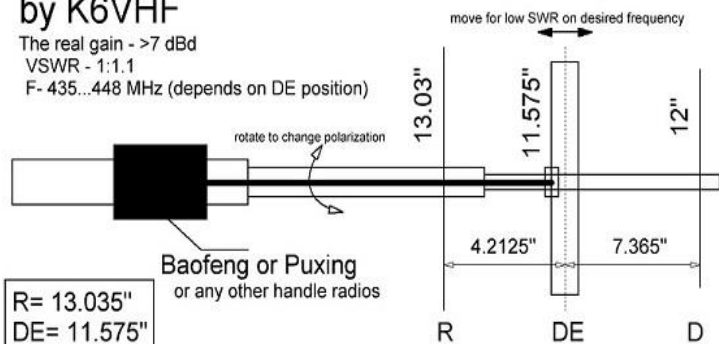


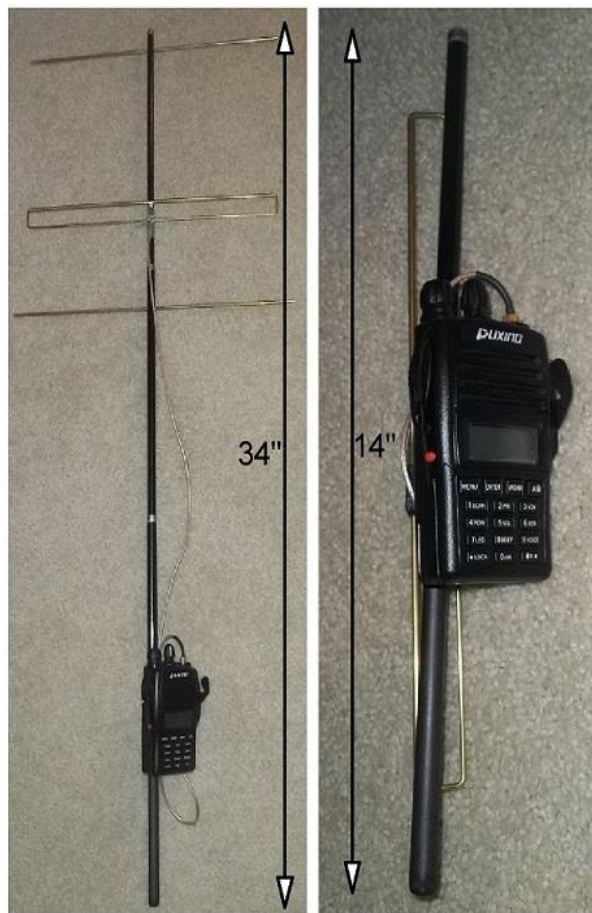
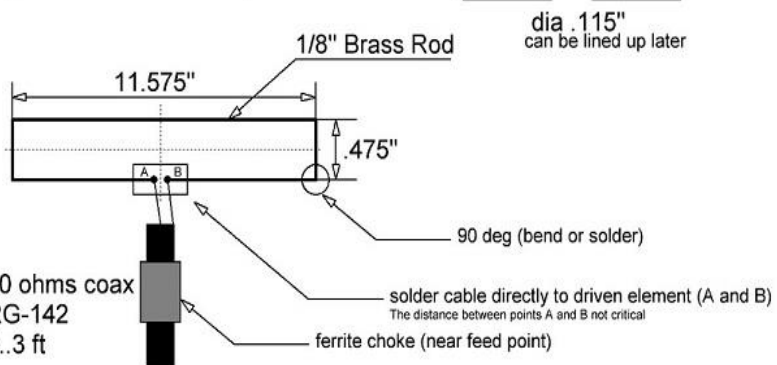
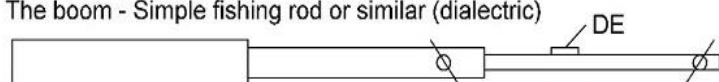
THE PORTABLE 70 CM ANTENNA (3 EL YAGI) by K6VHF

The real gain - >7 dBd
 VSWR - 1:1.1
 F- 435...448 MHz (depends on DE position)



R= 13.035"
 DE= 11.575"
 D= 12"

All elements - Brass Rod 1/8" from K&S Engineering
 The boom - Simple fishing rod or similar (dielectric)



- * The antenna is ultralight, portable and foldable
- * Great for backpacking and hiking
- * The total weight (with radio) - 1 LB

- * Easy to change polarization
- * Less than 2 minutes for assemble
- * Can be used for FM, Repeaters and Satellites

by Alex K6VHF
 Irvine, CA

<http://k6vhf.com>
alex_nersesyan@yahoo.com